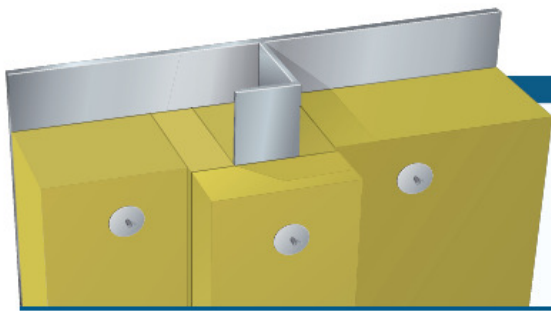


A-60 Steel Bulkhead



MED B-4188

Product: Rockwool Marine Firebatts 100

Density: 100 kg/m³

Thickness: Plate 60 mm insulation
Stiffener 25 mm insulation




Construction:

- Plate between stiffeners insulated with one layer of 60 mm Rockwool Marine Firebatts 100
- Stiffeners insulated with min. 25 mm Rockwool Marine Firebatts 100.
- Standard steel plate 4.5 mm (± 0.5 mm) thick.
- $\varnothing 3$ mm pins fixed with approx 300/400 mm distance.
- Insulation secured with washers of $\varnothing 38$ mm.

Application notes:

- All the connections must be tight, no air gaps.
- Gap under the stiffener must be filled out completely.
- The pins should exceed the insulation by approx 10 mm.
- The long side of the insulation to be installed vertically.
- Insulation can be placed on either side of the steel plate.

Advantages:

-  **One layer solution**
-  **Low construction weight**
-  **Easy handling**

Surfaces:

- Reinforced aluminium foil
- Glass cloth

Sound:

- Weighted sound absorption
Marine Firebatts 100, 60 mm $\alpha_w = 0.90$
- Weighted sound reduction of the A60 application $R_w = 45$ dB

